



## Commercial Tamper-Resistant GFCI Receptacles



### Features

- Patented CIRCUITPRO® self-test technology includes disconnecting power to the receptacle if critical components are damaged and GFCI protection is lost
- Patented shutter design for tamper-resistant protection
- Compliant with NEC® 406.12 and NEC® 517-18(c)
- Alarm version provides audible notification of a trip condition



### Tamper-Resistant



Rating	Color	Standard	Night Light Two LED Night Lights	Alarm	Combination Switch 15A 120V Switch	Standard 3-Pack Three Devices per Pack	
NEMA 5-15, 15A 125V 	Almond	<b>GFTRST15AL</b>	<b>GFTRST15ALNL</b>	<b>GFTRST15ALB</b>	—	—	
	Black	<b>GFTRST15BK</b>	<b>GFTRST15BKNL</b>	<b>GFTRST15BKB</b>	—	—	
	Brown	<b>GFTRST15</b>	<b>GFTRST15NL</b>	<b>GFTRST15B</b>	—	—	
	Gray	<b>GFTRST15GY</b>	<b>GFTRST15GYNL</b>	<b>GFTRST15GYB</b>	—	—	
	Ivory	<b>GFTRST15I</b>	<b>GFTRST15INL</b>	<b>GFTRST15IB</b>	<b>GFSPST15I</b>	<b>GFTRST15I3</b>	
	Light Almond	<b>GFTRST15LA</b>	<b>GFTRST15LANL</b>	<b>GFTRST15LAB</b>	<b>GFSPST15LA</b>	<b>GFTRST15LA3</b>	
	Red	<b>GFTRST15R</b>	<b>GFTRST15RNL</b>	<b>GFTRST15RB</b>	—	—	
	White	<b>GFTRST15W</b>	<b>GFTRST15WNL</b>	<b>GFTRST15WB</b>	<b>GFSPST15W</b>	<b>GFTRST15W3</b>	
	NEMA 5-20, 20A 125V 	Almond	<b>GFTRST20AL</b>	<b>GFTRST20ALNL</b>	<b>GFTRST20ALB</b>	—	—
		Black	<b>GFTRST20BK</b>	<b>GFTRST20BKNL</b>	<b>GFTRST20BKB</b>	—	—
Brown		<b>GFTRST20</b>	<b>GFTRST20NL</b>	<b>GFTRST20B</b>	—	—	
Gray		<b>GFTRST20GY</b>	<b>GFTRST20GYNL</b>	<b>GFTRST20GYB</b>	—	—	
Ivory		<b>GFTRST20I</b>	<b>GFTRST20INL</b>	<b>GFTRST20IB</b>	—	<b>GFTRST20I3</b>	
Light Almond		<b>GFTRST20LA</b>	<b>GFTRST20LANL</b>	<b>GFTRST20LAB</b>	—	<b>GFTRST20LA3</b>	
Red		<b>GFTRST20R</b>	<b>GFTRST20RNL</b>	<b>GFTRST20RB</b>	—	—	
White		<b>GFTRST20W</b>	<b>GFTRST20WNL</b>	<b>GFTRST20WB</b>	—	<b>GFTRST20W3</b>	



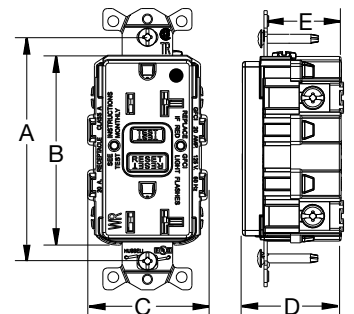
### Hospital Grade • Tamper-Resistant



Rating	Color	Night Light Two LED Night Lights	Alarm	
NEMA 5-15, 15A 125V 	Almond	<b>GFST82ALTRNL</b>	<b>GFST82ALTRB</b>	
	Black	<b>GFST82BKTRNL</b>	<b>GFST82BKTRB</b>	
	Brown	<b>GFST82TRNL</b>	<b>GFST82TRB</b>	
	Gray	<b>GFST82GYTRNL</b>	<b>GFST82GYTRB</b>	
	Ivory	<b>GFST82ITRNL</b>	<b>GFST82ITRB</b>	
	Light Almond	<b>GFST82LATRNL</b>	<b>GFST82LATRB</b>	
	Red	<b>GFST82RTRNL</b>	<b>GFST82RTRB</b>	
	White	<b>GFST82WTRNL</b>	<b>GFST82WTRB</b>	
	NEMA 5-20, 20A 125V 	Almond	<b>GFST83ALTRNL</b>	<b>GFST83ALTRB</b>
		Black	<b>GFST83BKTRNL</b>	<b>GFST83BKTRB</b>
Brown		<b>GFST83TRNL</b>	<b>GFST83TRB</b>	
Gray		<b>GFST83GYTRNL</b>	<b>GFST83GYTRB</b>	
Ivory		<b>GFST83ITRNL</b>	<b>GFST83ITRB</b>	
Light Almond		<b>GFST83LATRNL</b>	<b>GFST83LATRB</b>	
Red		<b>GFST83RTRNL</b>	<b>GFST83RTRB</b>	
White		<b>GFST83WTRNL</b>	<b>GFST83WTRB</b>	

### Product Dimensions Inches (mm)

	GFCI Receptacle
A	3.27" (83.1)
B	2.75" (69.8)
C	1.75" (44.5)
D	1.47" (37.4)
E	1.10" (27.9)



NEC® is a registered trademark of the National Fire Protection Association (NFPA).